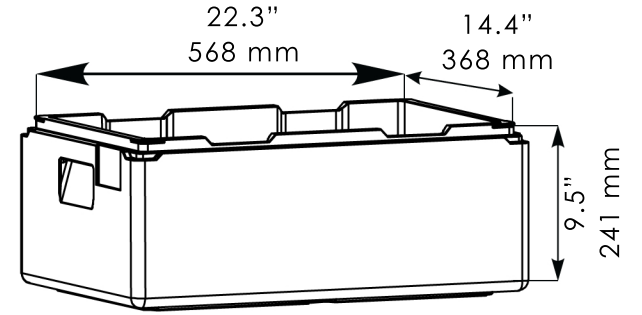
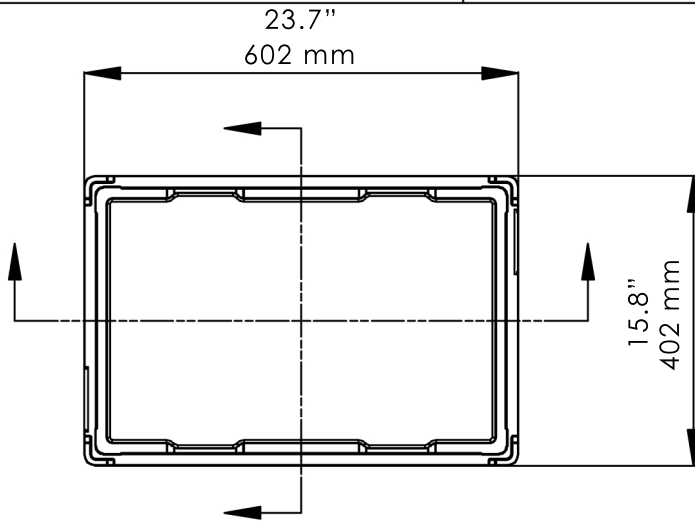
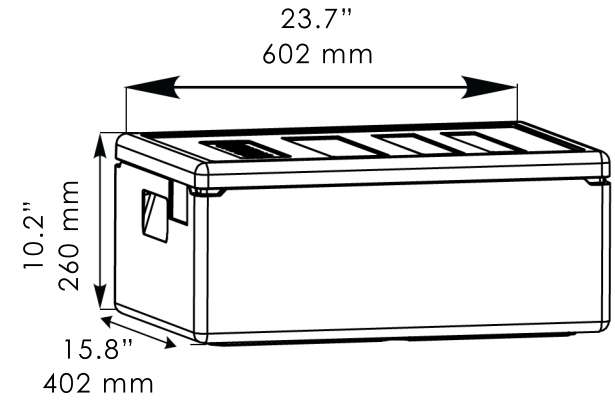
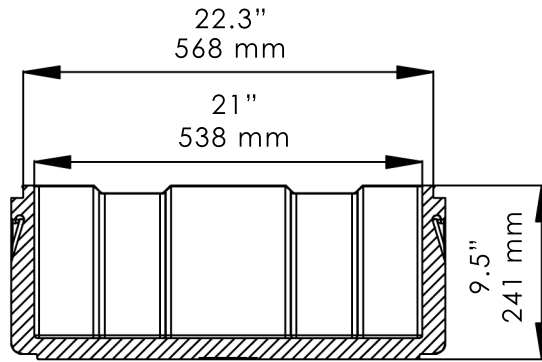
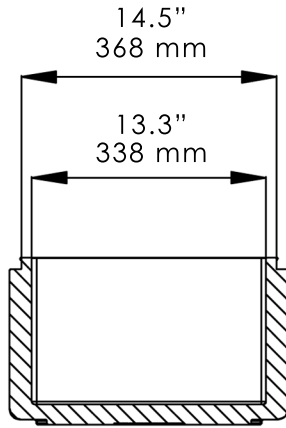


Top View



Side View



Item 44548